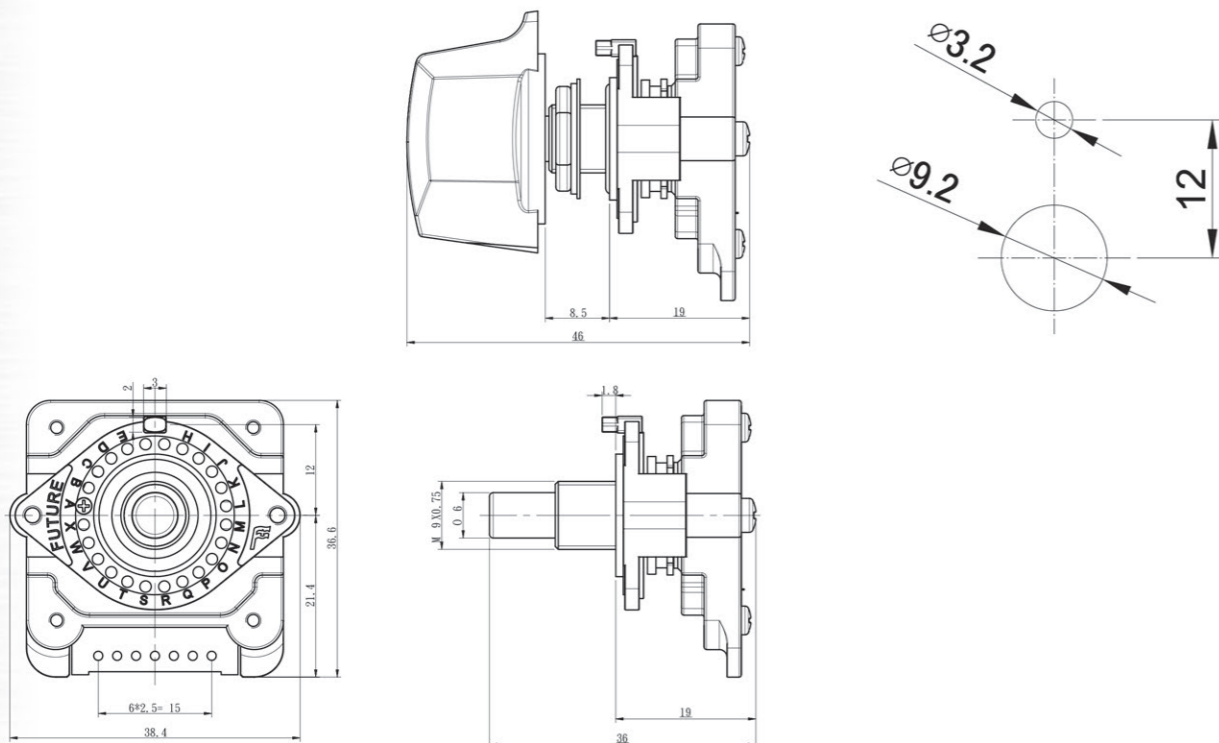


NDS Specification

Type	Test Condition	Specification		
Operation Temperature	No Condensation	-10°C / +50°C		
Storage Temperature	No Condensation	-20°C / +70°C		
Mechanical	Revolution Starting Torque	0.1 ~ 0.2Nm (1 ~ 2kgf•cm)		
	Shaft Load	3Nm below		
	M9 Screw Load	2Nm below		
	Nut Stopper Load	3Nm below		
	Vibration Test	10~55~10Hz/m 1.5mm X, Y, Z 3direction 2h		
Electrical	Contact Resistance		100mΩ below	
	Isolation Resistance	Contact to contact DC250V for 1 min	500MΩ above	
		Contact to case DC500V for 1 min		
	Withstanding Voltage	Contact to contact AC250V for 1 min	No exception	
		Contact to case AC500V for 1 min		
Rate Load	AC	5V / 0.5A, 50V / 0.05A		
	DC	5V / 0.25A, 50V / 0.025A		
Life Expectancy	Unload Test	60RPM After 50,000 Rotation Test	Revolution Starting Torque	±20% below
			Contact Resistance	150mΩ
			Insulation Resistance	50MΩ above
			Withstanding Voltage	No exception
Environmental	Temperatures +40°C ±5% Humidity 90% 48HR	Contact Resistance	100mΩ below	
		Insulation Resistance	50MΩ above	
		Withstanding Voltage	No exception	
	Heat-Test +70°C ±5% 16HR	Contact Resistance	100mΩ below	
		Revolution Starting Torque	0.1~0.2Nm	
	Cold-Test -10°C ±5% 16HR	Contact Resistance	100mΩ below	
Revolution Starting Torque		0.1~0.2Nm		

NDS External Dimensions & Panel Cutout (mm)



※ The specification or contents in this catalog are subject to change without notice. 2018/09

DIGITAL CODE ROTARY SWITCH

NDS Series

NDS Series with multiple switching functions are applicable to the machine tool's operation panel for axis selection, feed rate and override, ...etc



Features

- Solid metal housing and clear graduation
- Provide 15°, 30°, 13.85° for options
- Provide various types of encoder codes for options
- With firm and skid-proof shafts
- Include inhibit and parity signal to avoid error occurrence
- Metal (Gold) coating contact points for stable and highly effective performance
- Waterproof design (IP65) and built-in o-ring
- New design for easy installation
- Save wiring operation and input signal point
- OEM / ODM accepted



FUTURE LIFE TECHNOLOGY CO., LTD.

13Fl., No. 963, Jong-Jeng Rd., Jong-Ho Dist., New Taipei City, Taiwan 23544

TEL : 886 + 2-8227-5339 FAX : 886 + 2-8227-5572 Email : amaker@ms24.hinet.net



